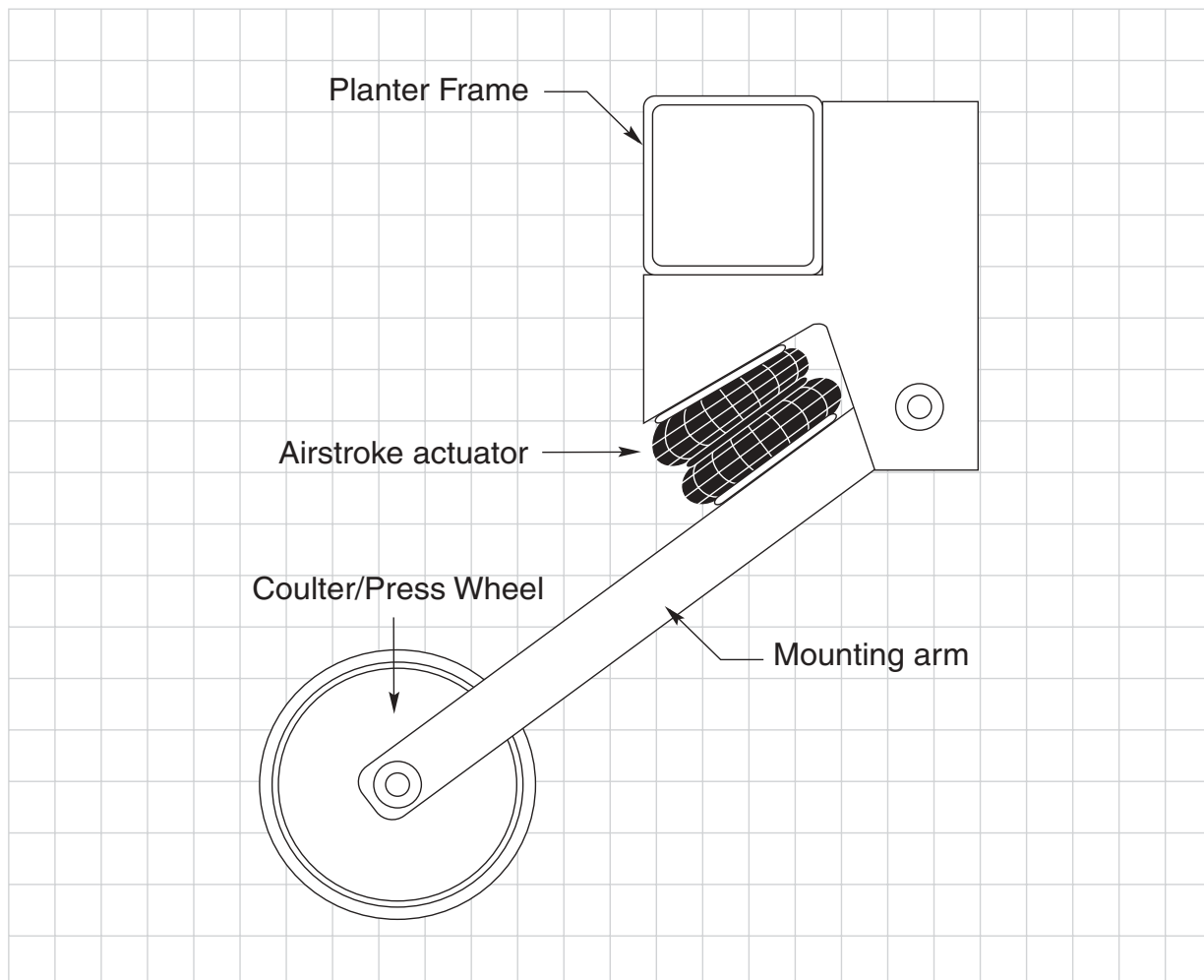


### Corn Planter



#### **Problem**

The press wheel or tilling couler on a multi-till corn planter must have adjustable down-pressure for planting in different soil types.

#### **Solution**

An Airstroke actuator is positioned between the planter frame and press wheel's mounting arm to provide adjustable down-pressure in compliance with the variation of the ground.

#### **Benefit**

The actuator provides the desired down pressure for changing soil types, maintains the pressure during use, allows for lateral movement at the mount, and is easier to service than conventional coil spring systems.